

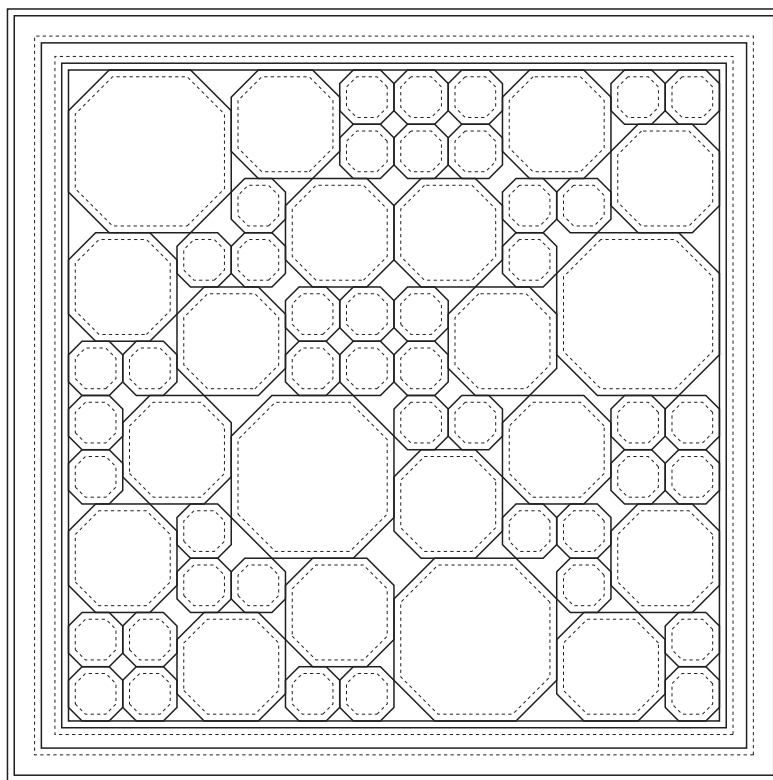
Holy Snowballs!

Wonders sent from heaven above,
"Holy Snowballs!" is one you'll just love!
Snowballs stacked and packed together,
stay nice and warm no matter the weather.
Make it dark and cozy, or light and bright,
absolutely perfect for a long winter's night.

Fabric requirements

small snowballs — 44 scraps 5" x 5"
medium snowballs — 16 scraps 10" x 10"
large snowballs — four scraps 13" x 13"
background — 1-1/4 yards
first border — 1/4 yard
second border — 1/2 yard
third border — 5/8 yard
binding — 5/8 yard
backing — 3-1/2 yards

Cut — read all directions;
based on 40"-wide fabrics



small snowballs (piece A) — cut 44 squares 4-1/2" x 4-1/2"
medium snowballs (piece B) — cut 16 squares 8-1/2" x 8-1/2"
large snowballs (piece C) — cut four squares 12-1/2" x 12-1/2"
background (piece D) — cut 176 squares 1-7/8" x 1-7/8"
background (piece E) — cut 64 squares 2-7/8" x 2-7/8"
background (piece F) — cut 16 squares 3-7/8" x 3-7/8"
first border — cut five strips 1" x wof*; cut one of these strips into four equal pieces.
second border — cut six strips 2" x wof*; cut two of these strips in half
third border — cut six strips 3-1/4" x wof*; cut two of these strips in half

*wof — width of fabric

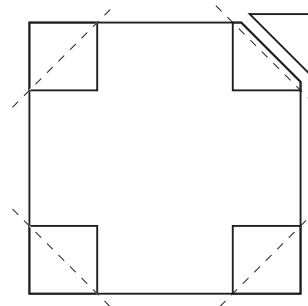
Construction

All seams are 1/4"

1. Each snowball (small, medium and large) is constructed in the same way. See diagram one. Use one larger square and four smaller squares for each snowball. Sew the smaller squares onto each corner of the larger square with a diagonal seam as shown in diagram one. Cut away the extra fabric and press open.
2. Make 44 small snowballs using pieces A and D. See diagrams one and two.
3. Make 16 medium snowballs using pieces B and E. See diagrams one and two.
4. Make four large snowballs using pieces C and F. See diagrams one and two.
5. Use 11 small snowballs, four medium snowballs and one large snowball to construct the large unit. See diagram three. You will make four large units.
6. Refer to diagram four. Start by making section 2. Yes, in answer to your question, you will have one small snowball dangling off the bottom of section 2. Just line up the left edges of the medium and small snowball, sew across the top edge of the dangling small snowball, stopping 1/4" from the inside edge and let it dangle by itself.

approximately 58" x 58"

diagram one



7. Now make sections 3, 4 and 5.
8. Sew section 1 and section 2 together with small snowball still dangling.
9. Sew sections 3 and 4 together.
10. Sew joined sections 3 and 4 onto the bottom of joined sections 1 and 2.
11. Sew the left edge of section 5 onto the right edge of the dangling small snowball and the right edge of section 4.
12. Now sew the top edge of section 5 onto the remaining bottom edge of section 2.
13. To make the quilt center, sew the four large units together. The upper left large unit is placed just as you made it (see diagram three). The upper right large unit is rotated twice clockwise. The lower left unit is rotated once clockwise. The lower right unit is rotated once counter-clockwise.
14. For the first border, sew one of the four shorter strips onto the ends of each of the other four longer strips. Sew these onto the quilt center. Trim ends as needed.
15. For the second border, sew one of the four shorter strips onto the ends of each of the other four longer strips. Sew these onto the first border. Trim ends as needed.
16. For the third border, sew one of the four shorter strips onto the ends of each of the other four longer strips. Sew these onto the second border. Trim ends as needed.
17. Baste, quilt, bind and enjoy!

diagram two

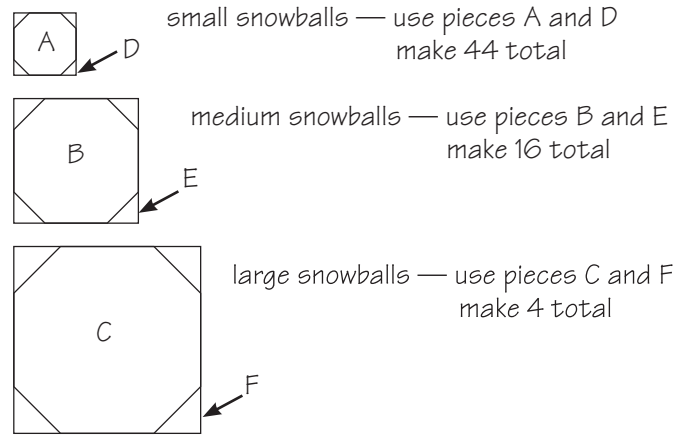


diagram three — large unit; make four

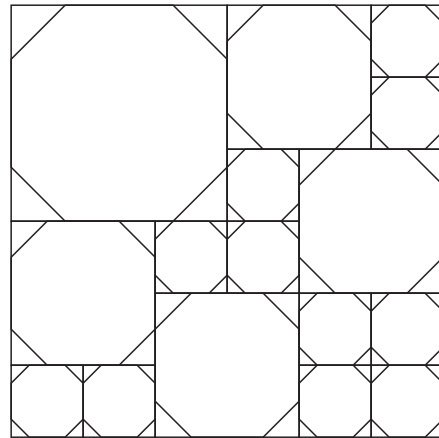


diagram four

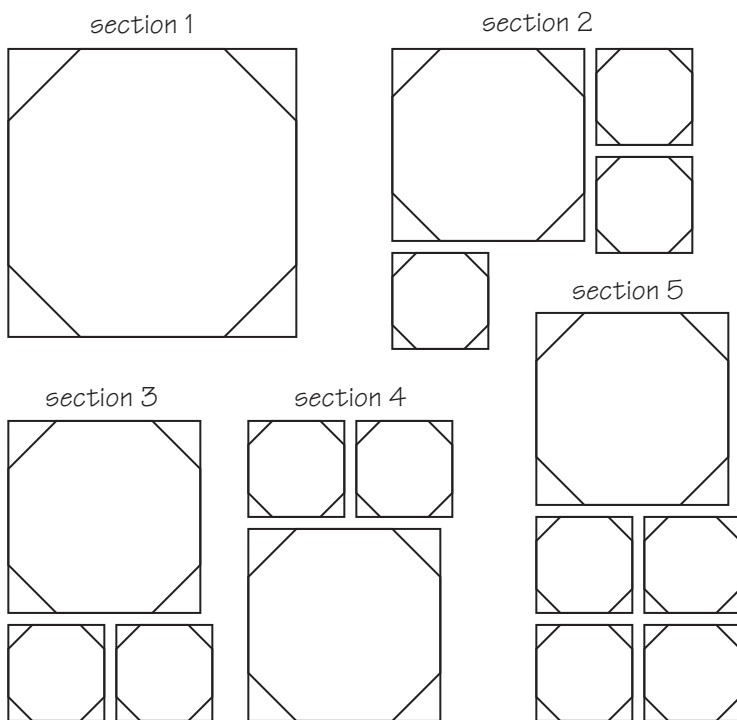
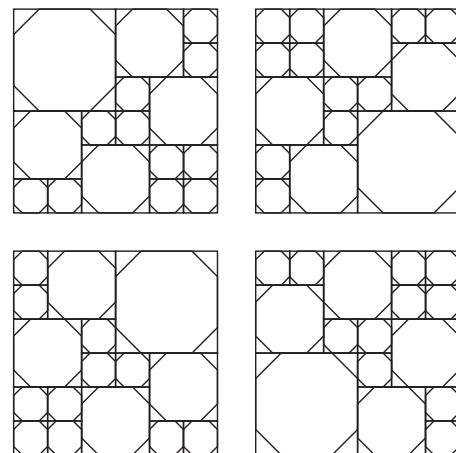


diagram five



This pattern has been provided to you by: